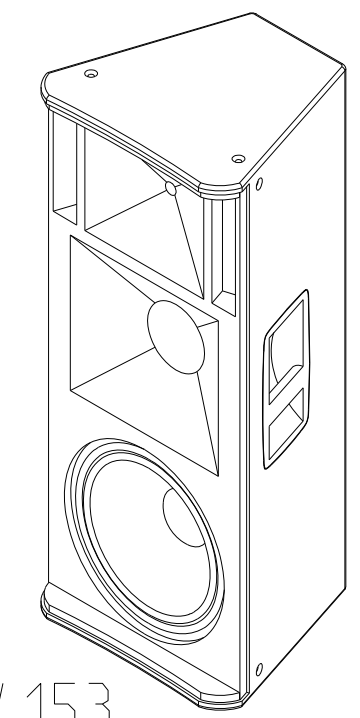
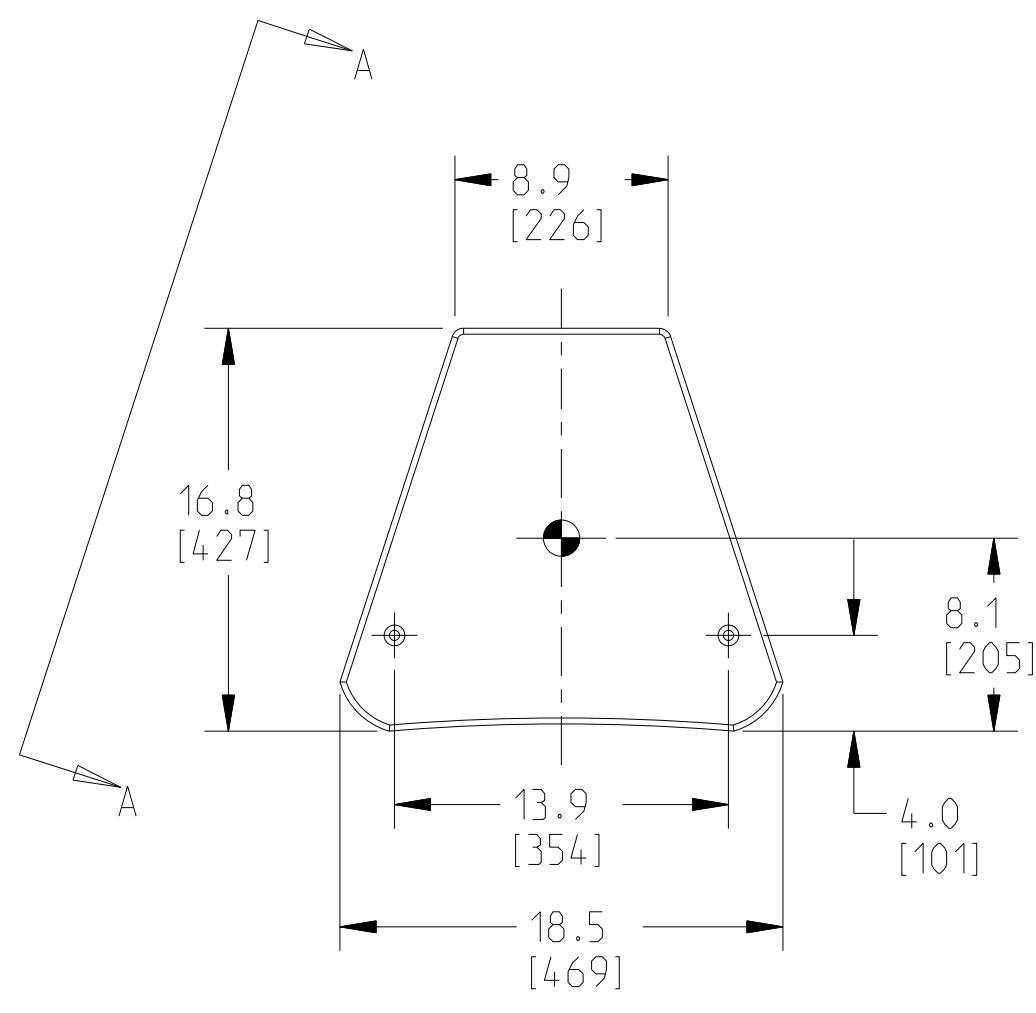
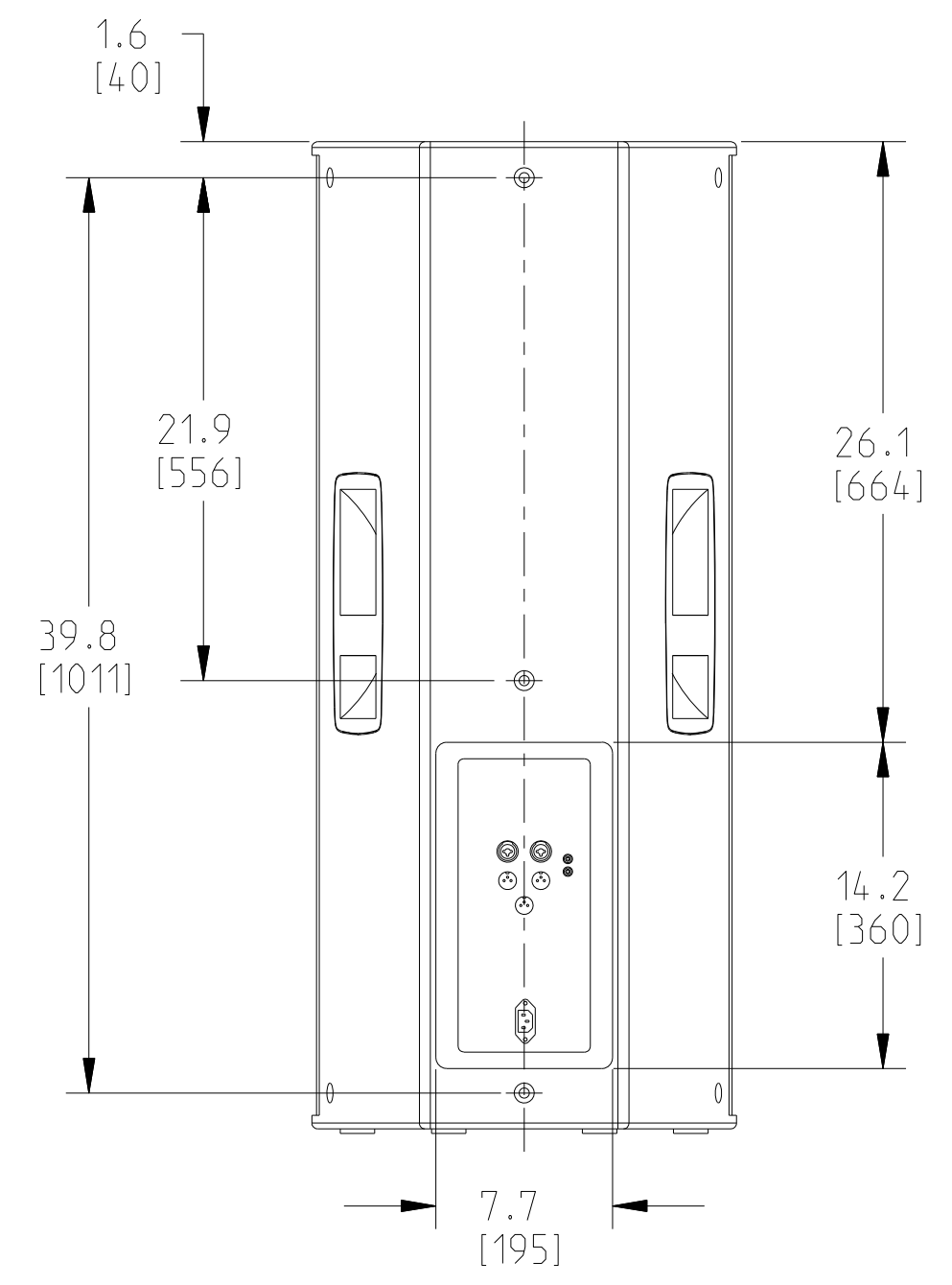
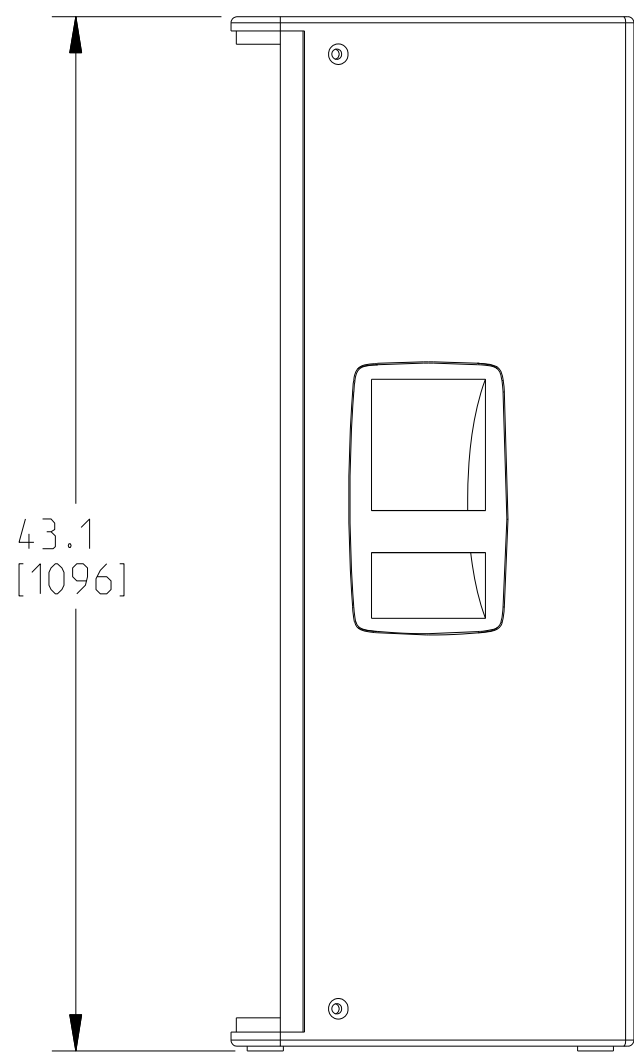
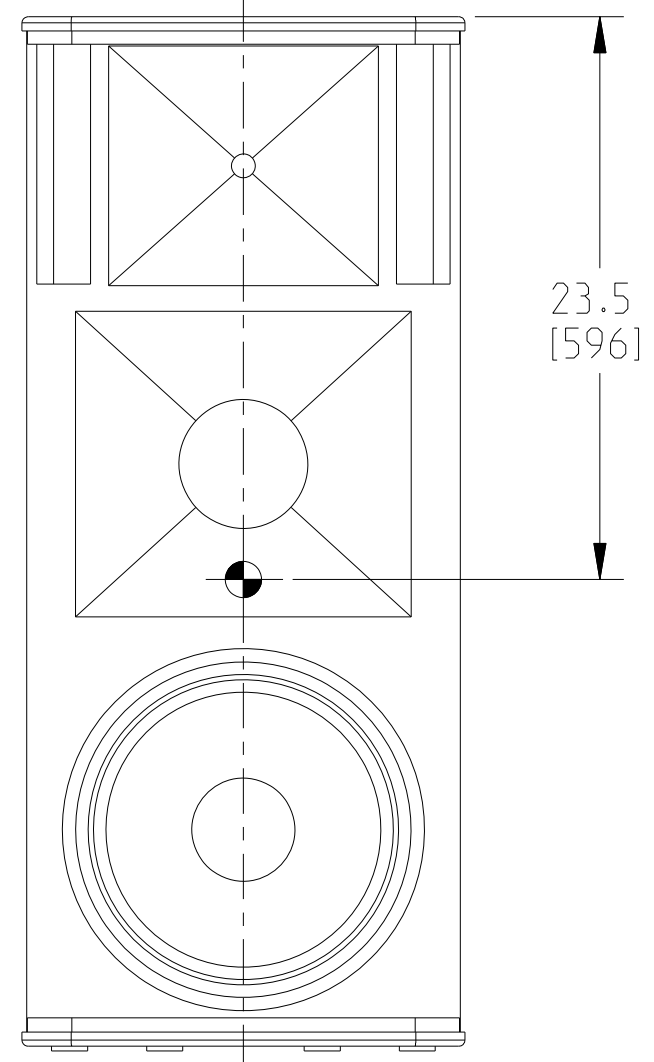
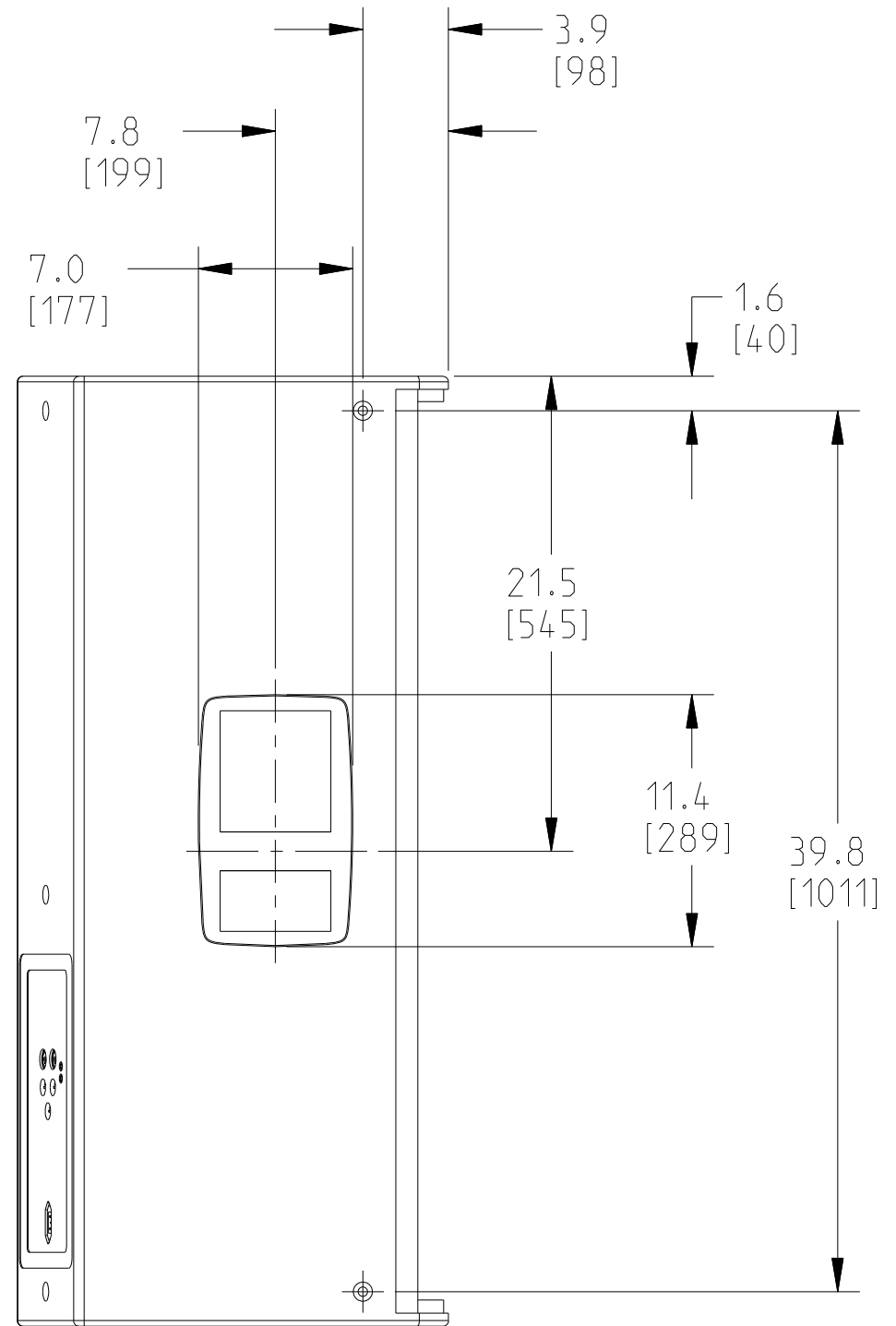


THIS DOCUMENT CONTAINS PROPRIETARY INFORMATION WHICH IS THE PROPERTY OF QSC AUDIO PRODUCTS. THAT MAY NOT BE DISCLOSED, REPRODUCED OR USED WITHOUT EXPRESS WRITTEN CONSENT FROM QSC AUDIO PRODUCTS.

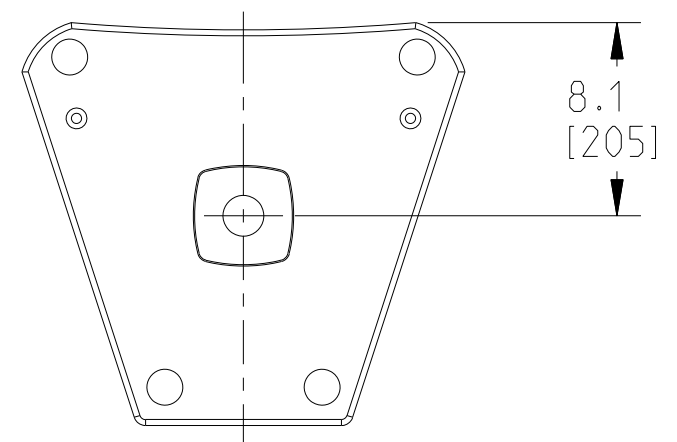
REVISIONS					
REV	ECO	DESCRIPTION	BY	EFF DATE	ISSUED
A	-	RELEASE	JD	01-JUL-10	DD



KW 153



VIEW A-A ROTATED COUNTER CLOCKWISE 108°



5. PARTS ARE SYMMETRICAL ABOUT CENTER LINES UNLESS OTHERWISE NOTED.
 4. SYMBOL INDICATES CENTER OF BALANCE.
 3. SYMBOL INDICATES SUSPENSION POINT, 11 TOTAL: M10-1.5 THD.
 2. TOLERANCES (INCHES): .X ± .13, ANGLES: ± 1°.
 1. NET WEIGHT APPROX. 88 LBS (40.0 KG)
- NOTE: UNLESS OTHERWISE SPECIFIED

UNLESS OTHERWISE SPECIFIED DIMENSIONS IN INCHES (MM) TOLERANCES ARE: DECIMALS .XX ± .02 .51 .XXX ± .010 .25 ± 1/2 DEBURR EDGES .010 (1.25) R MAX	APPROVALS	DATE (DD-MMM-YY)	QSC AUDIO PRODUCTS, LLC 1675 MACARTHUR BOULEVARD COSTA MESA, CA 92626	
	DRAWN J. DELARM	12-APR-10		
	CHECKED J. CHAVEZ	30-JUN-10		
	MFG-ENG J. O'CONNOR	28-JUN-10		
	QA CHECK N/A	-		
FINISH	DRAWING INFO: FG-215300-2D.A.2	MODEL INFO: FG-215300-3D.A.0	SIZE C CAGE CODE 00PW4 SCALE: 0.125 DO NOT SCALE DRAWING	DRAWING NO. FG-215300-2D SHEET 1 OF 1