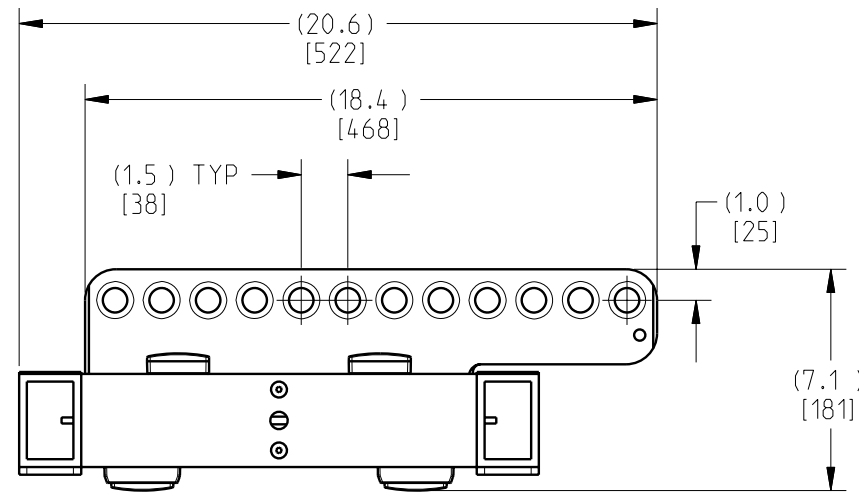
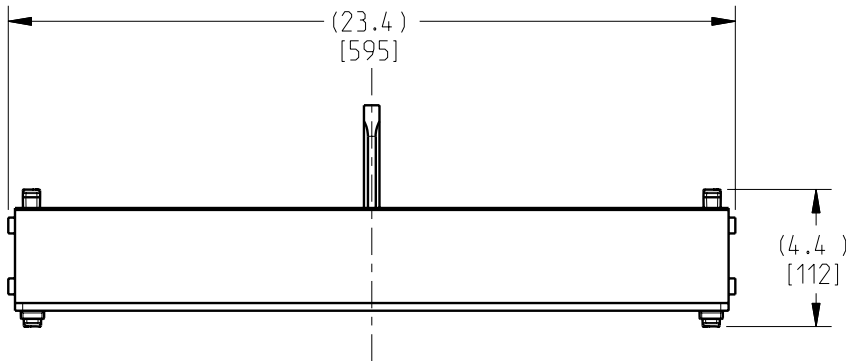
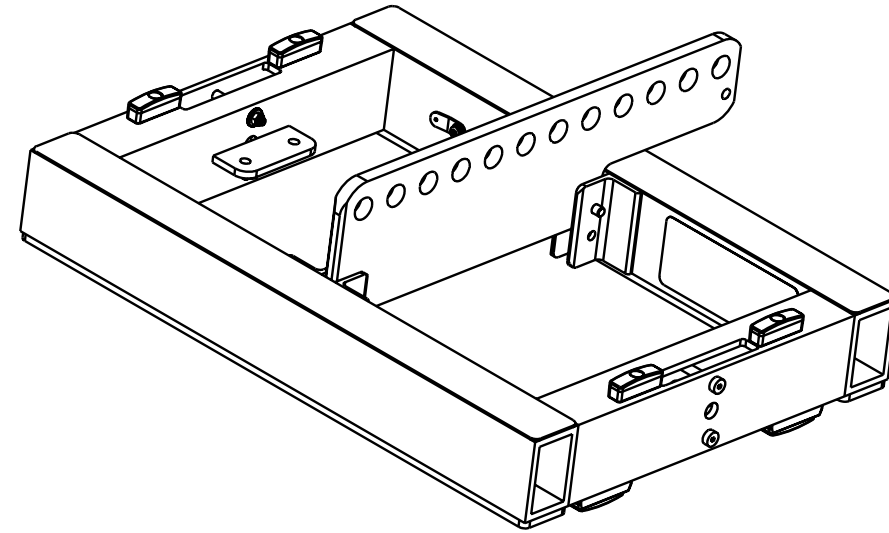
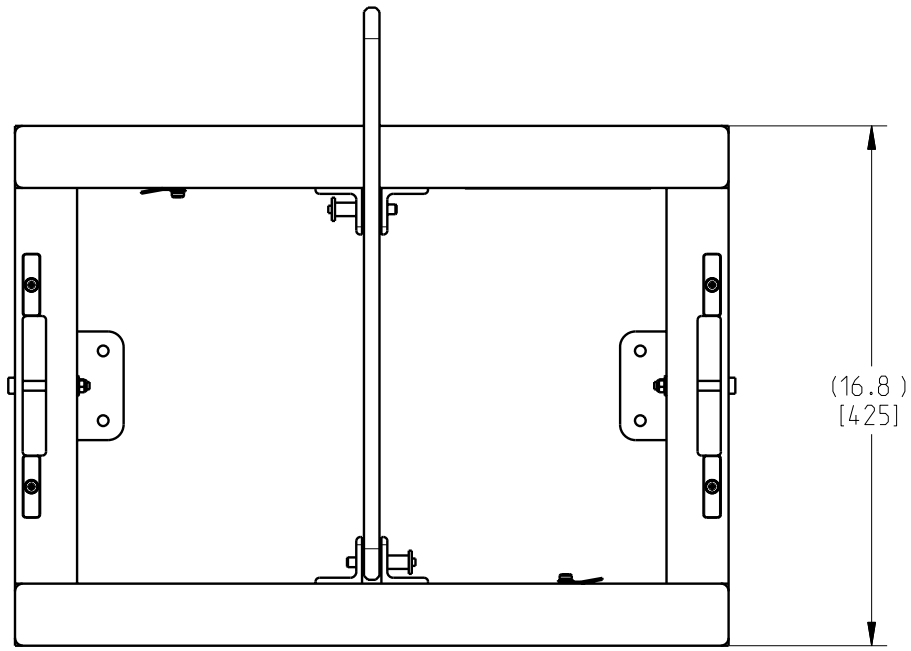


THIS DOCUMENT CONTAINS PROPRIETARY INFORMATION WHICH IS THE PROPERTY OF QSC AUDIO PRODUCTS, THAT MAY NOT BE DISCLOSED, REPRODUCED OR USED WITHOUT EXPRESS WRITTEN CONSENT FROM QSC AUDIO PRODUCTS.

REVISIONS					
REV	ECO	DESCRIPTION	BY	EFF DATE	ISSUED
A	-	RELEASE	JD	20-MAY-11	-



- 3. PARTS ARE SYMMETRICAL ABOUT CENTER LINES UNLESS OTHERWISE NOTED.
- 2. SYMBOL © INDICATES SUSPENSION POINT, Ø.79 [20].
- 1. NET WEIGHT APPROX. 23 LBS (10.4 KG)
- NOTE: UNLESS OTHERWISE SPECIFIED

UNLESS OTHERWISE SPECIFIED DIMENSIONS IN INCHES (MM) TOLERANCES ARE: DECIMALS .XX±.02(.5) DECIMALS .XXX±.010(.25) ANGLES ± 1/2 DEBURR EDGES .010 (.25) R MAX	APPROVALS	DATE (DD-MMM-YY)	 QSC AUDIO PRODUCTS, LLC 1675 MACARTHUR BOULEVARD COSTA MESA, CA 92626		
	DRAWN J. DELARM	13-MAY-11			
	CHECKED P. SANCHEZ	19-MAY-11			
	MFG ENG	-			
MATERIAL	-	-	ASSY, FRAME, KLA AF12		
FINISH	-	-			
QA CHECK	-	-			
DRAWING INFO: FG-000413-2D.A.0		SIZE: C	CAGE CODE: 00PW4	DRAWING NO.: FG-000413-2D	REV: A
MODEL INFO: FG-000413-XX.6.7		SCALE: 0.250 DO NOT SCALE DRAWING		SHEET 1 OF 1	