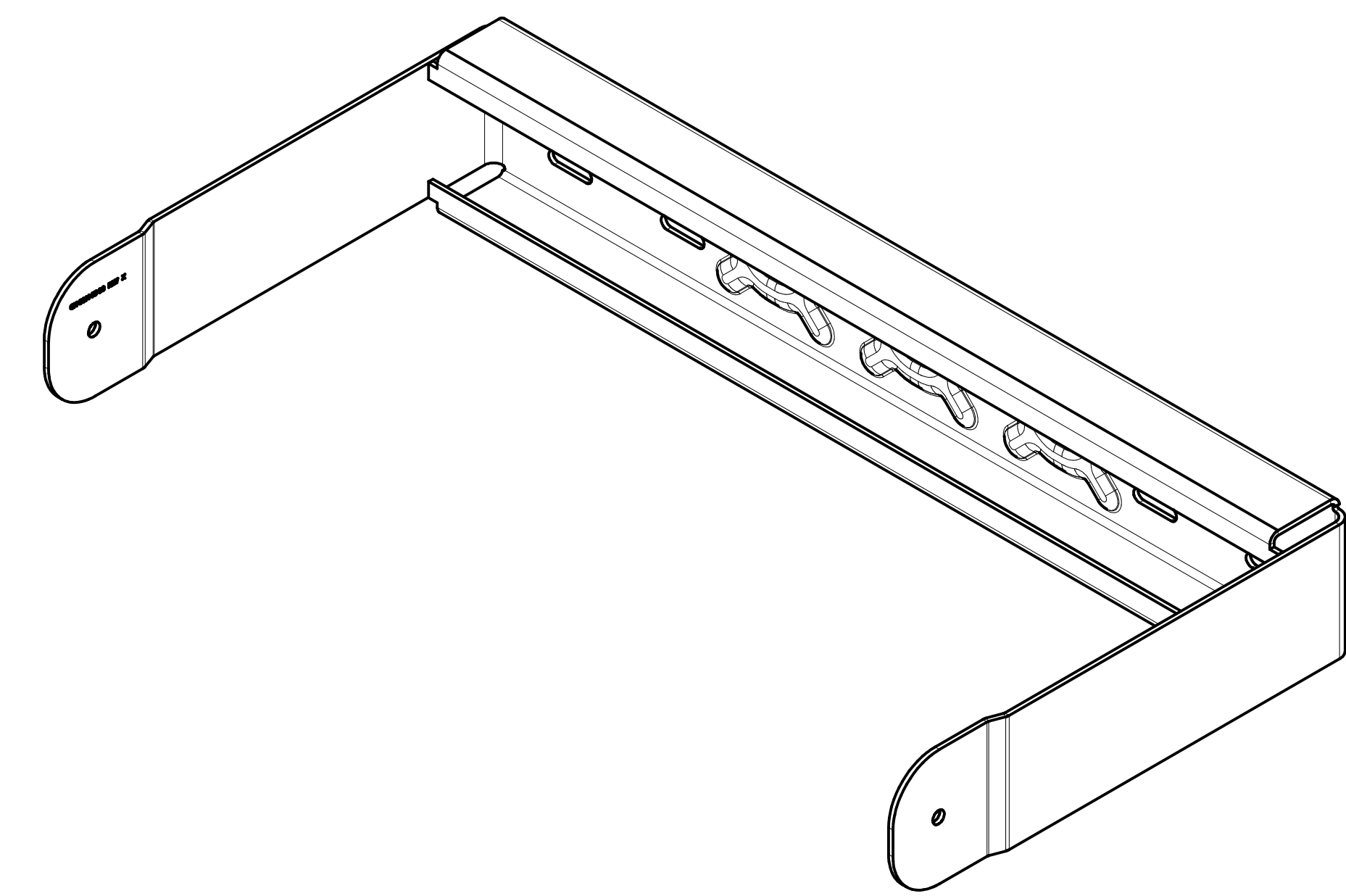
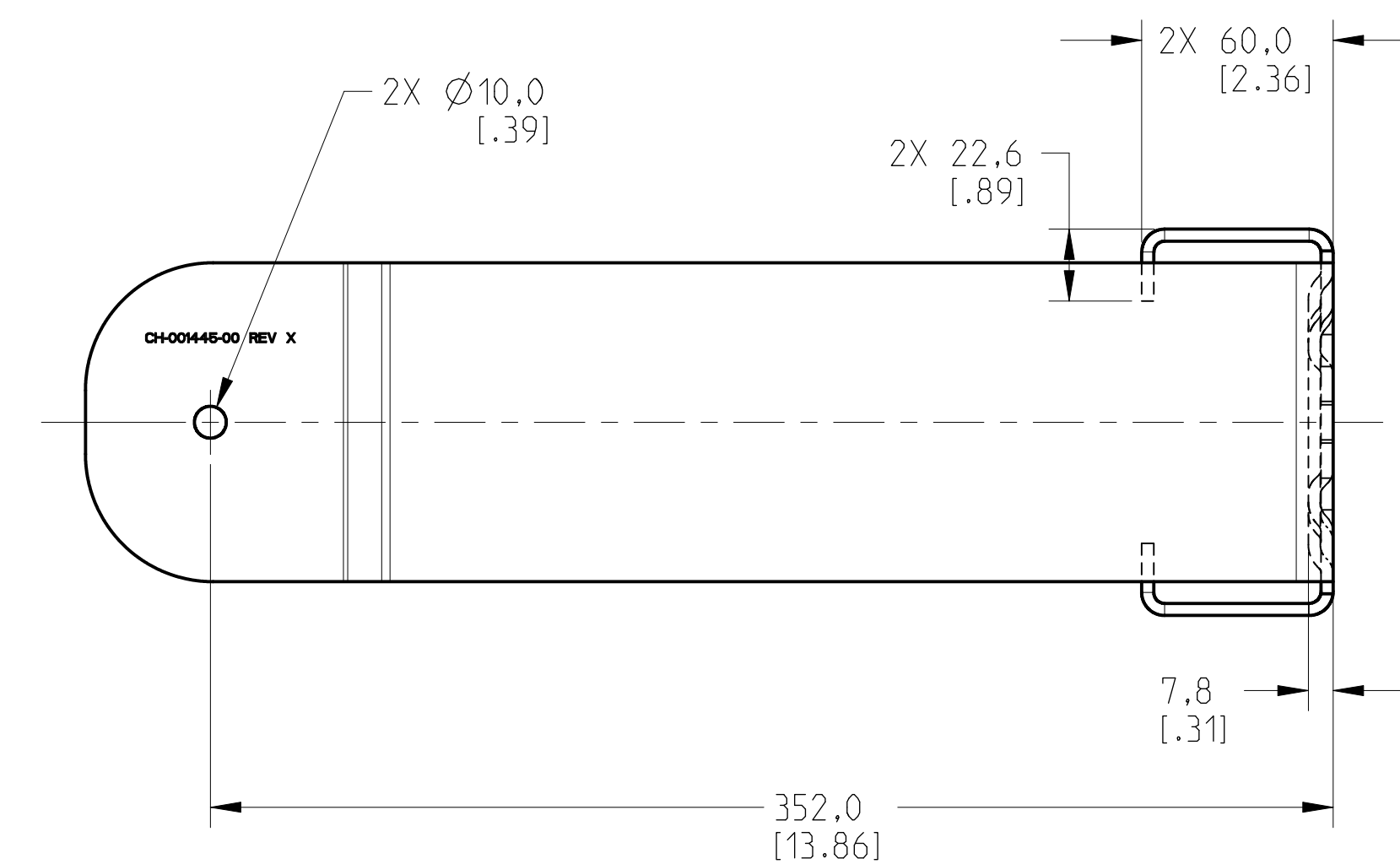
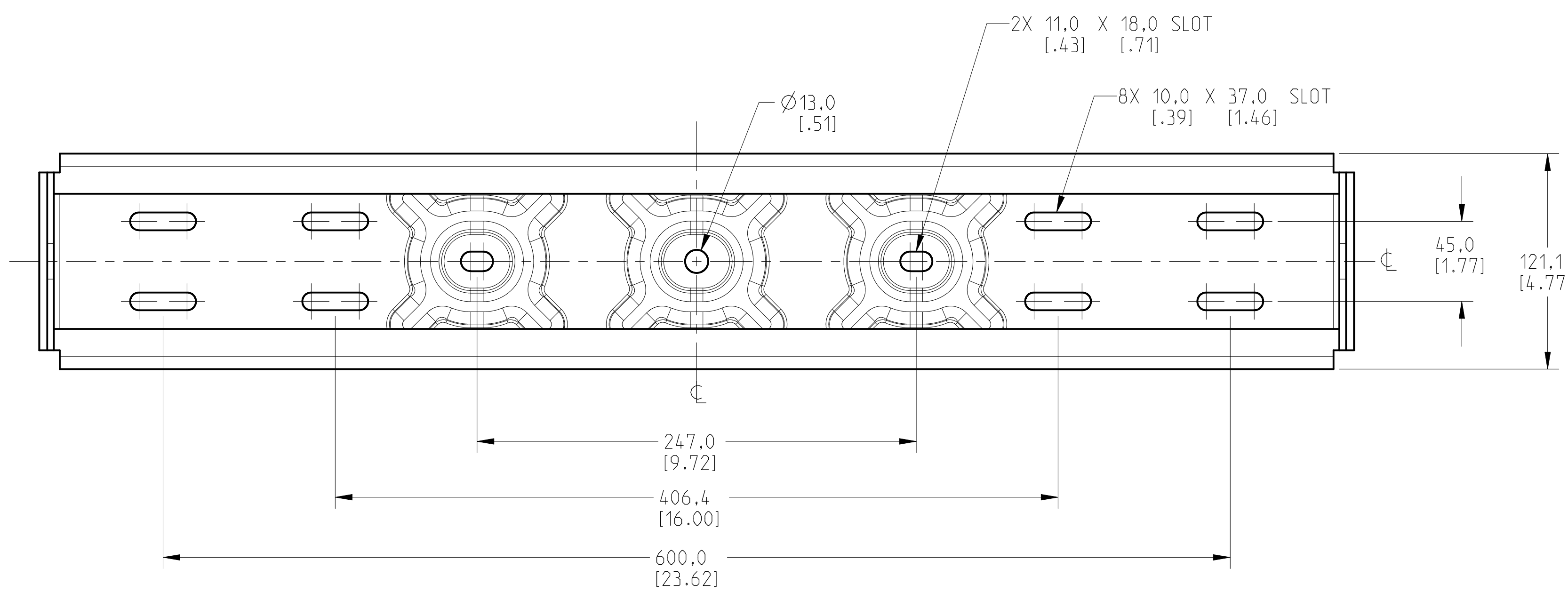


THIS DOCUMENT CONTAINS PROPRIETARY INFORMATION WHICH IS THE PROPERTY OF QSC, LLC. THAT MAY NOT BE DISCLOSED, REPRODUCED OR USED WITHOUT EXPRESS WRITTEN CONSENT FROM QSC, LLC.

REVISIONS			
REV	DESCRIPTION	BY	DATE
A	RELEASE FOR SALES AND MARKETING	ES	15-AUG-16



SCALE 0.300



4. PARTS ARE SYMMETRICAL ABOUT CENTER LINES UNLESS OTHERWISE NOTED.

3. DIMENSIONS ARE IN MILLIMETERS [INCH].

2. TOLERANCES (MM): X ± 3. ANGLES ± 1°.

1. NET WEIGHT APPROX. 18.0 LBS (8.16 KG)

NOTE: UNLESS OTHERWISE SPECIFIED

UNLESS OTHERWISE SPECIFIED DIMENSIONS IN MILLIMETERS (IN) TOLERANCES ARE: DECIMALS DECIMALS ANGLES .X±.5(.02) .XX±.25(.010) ± 1/2 DECURR EDGES .25 (1.010) R MAX MATERIAL FINISH	DESIGNER	QSC, LLC 1675 MACARTHUR BOULEVARD COSTA MESA, CA 92626 E15YM, FINISHED	SIZE	CAGE CODE	DRAWING NO.	REV	
	ENGINEERING SERVICES		D	00PW4	FG-000509-XX-2D	A	
	ENGINEER		SCALE	0.500	DO NOT SCALE DRAWING	SHEET	1 OF 1
	TECHNICAL DIRECTOR		DRAWING INFO: FG-000509-XX-2D.A.1				
MANUFACTURING ENGINEER	MODEL INFO: FG-000509-XX-3D.A.1						