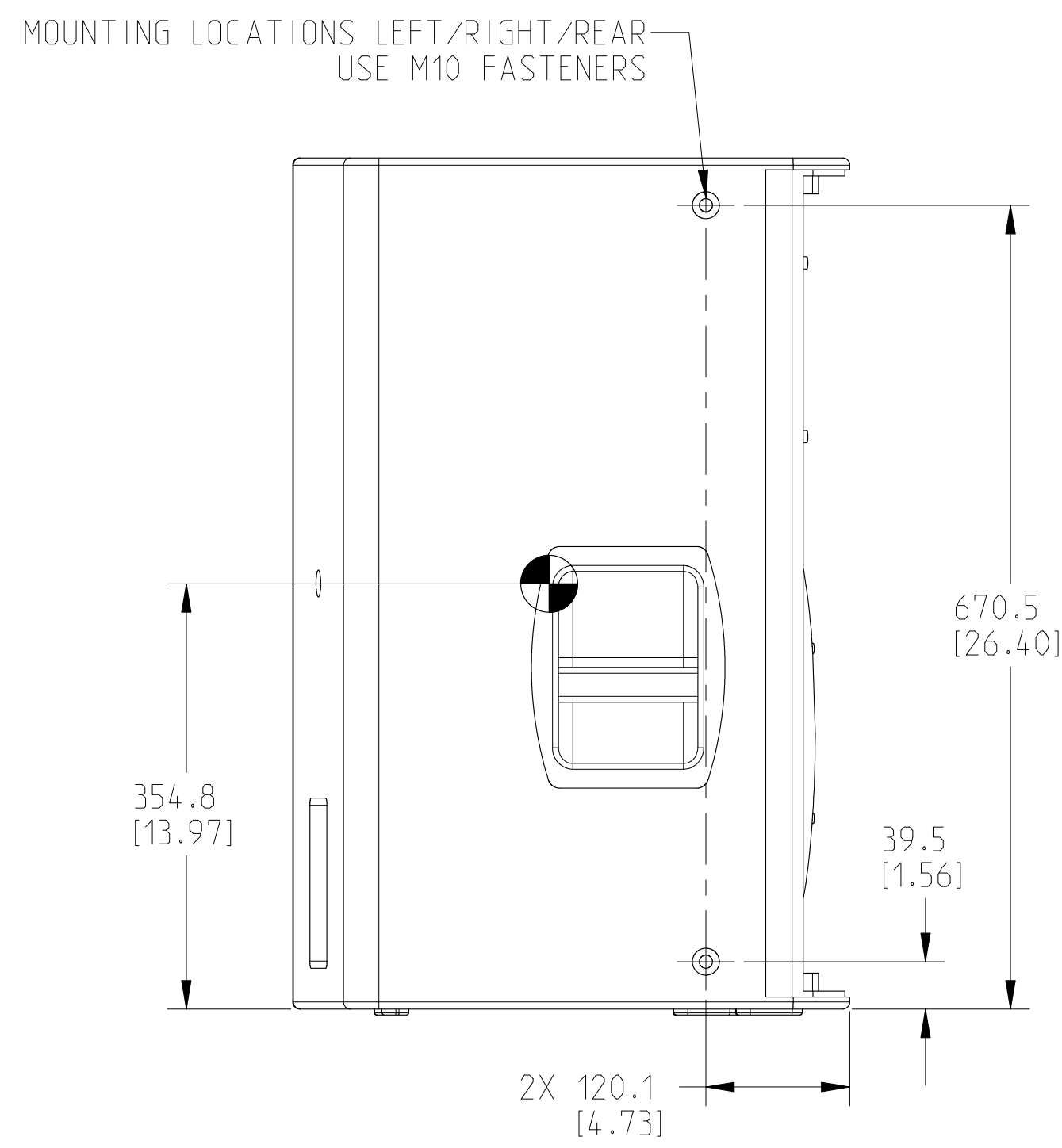
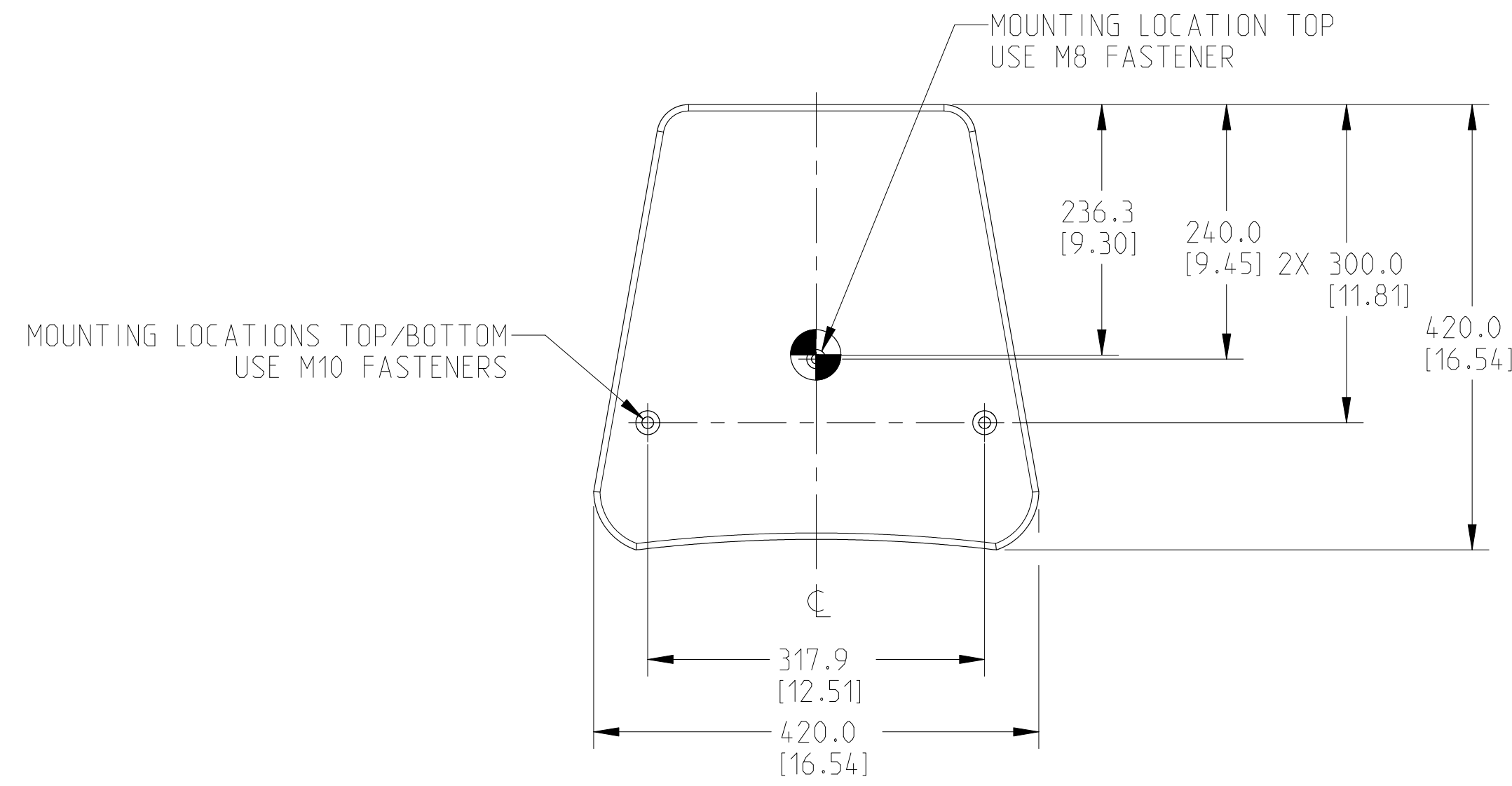
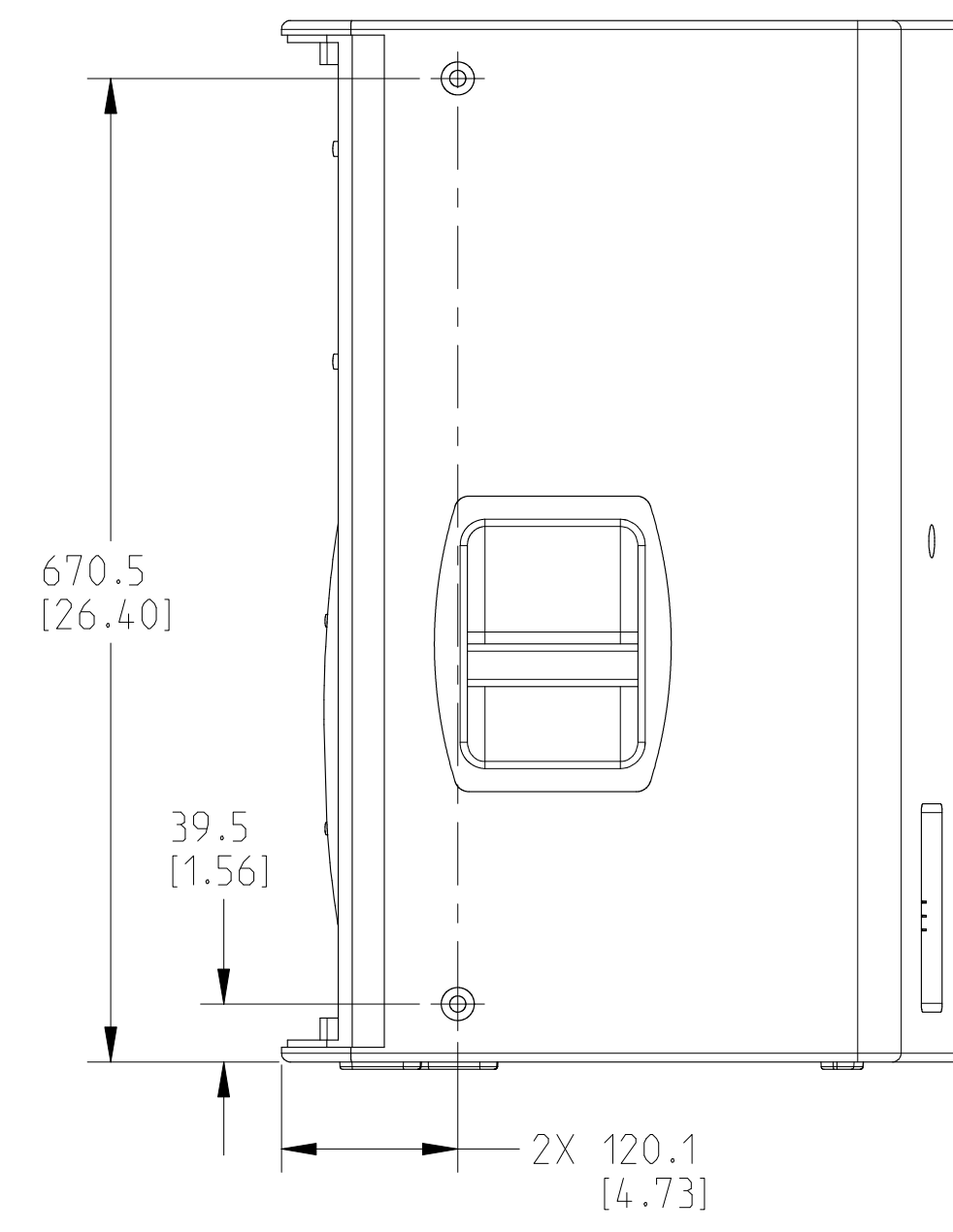
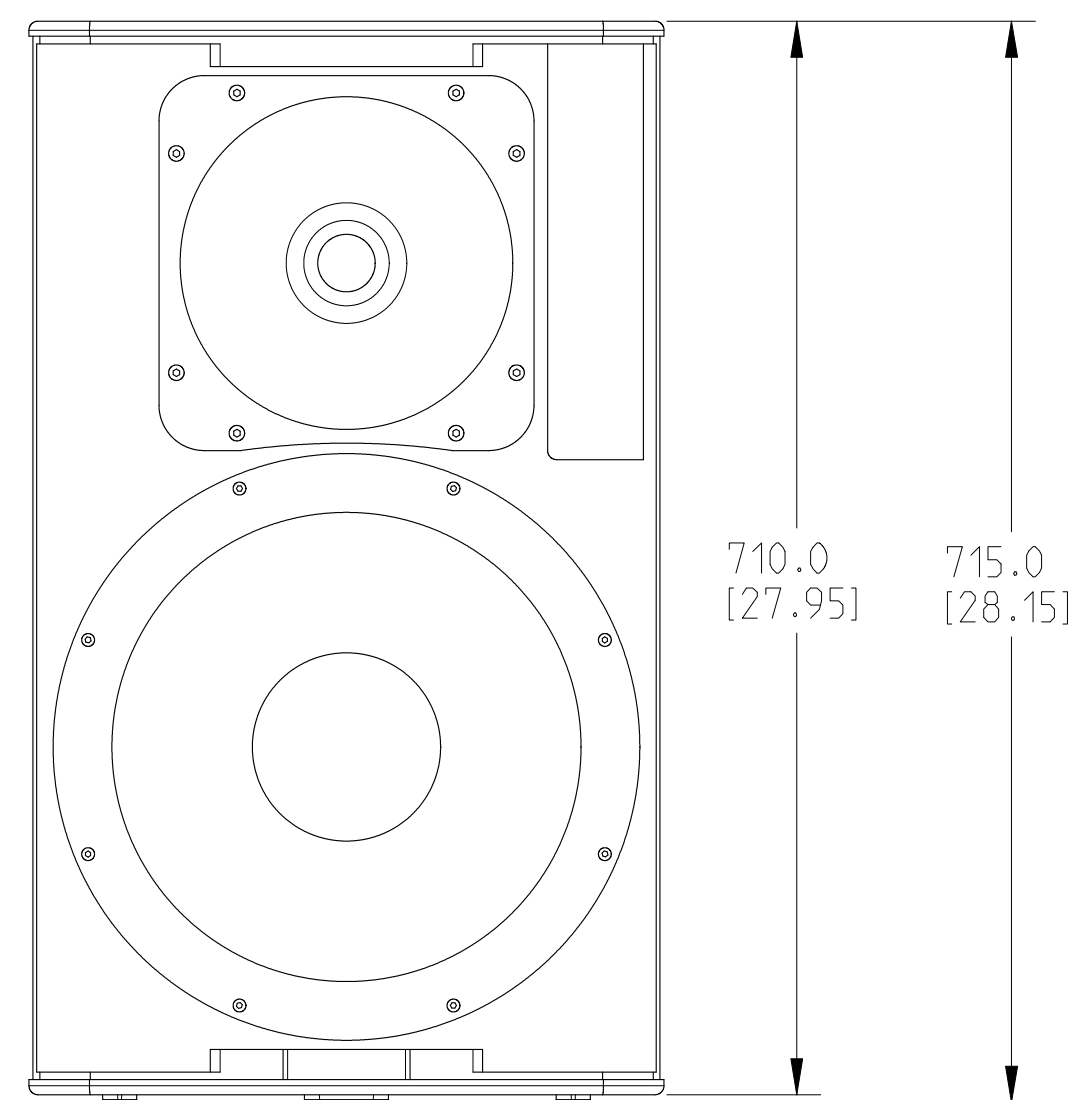


THIS DOCUMENT CONTAINS PROPRIETARY INFORMATION WHICH IS THE PROPERTY OF QSC, LLC. THAT MAY NOT BE DISCLOSED, REPRODUCED OR USED WITHOUT EXPRESS WRITTEN CONSENT FROM QSC, LLC.

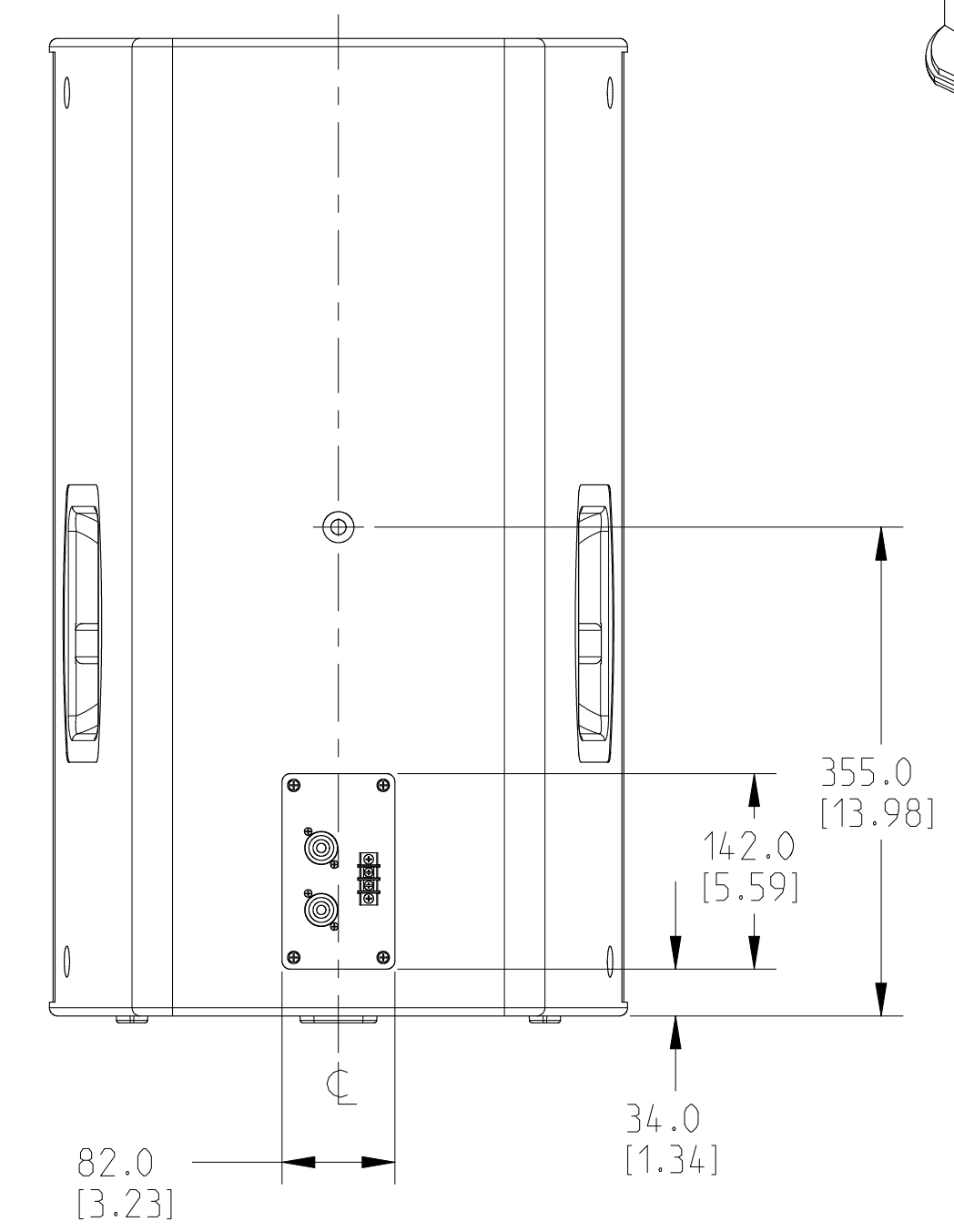
REVISIONS			
REV	DESCRIPTION	BY	DATE
A	RELEASE FOR SALES AND MARKETING	ES	2-MAR-18



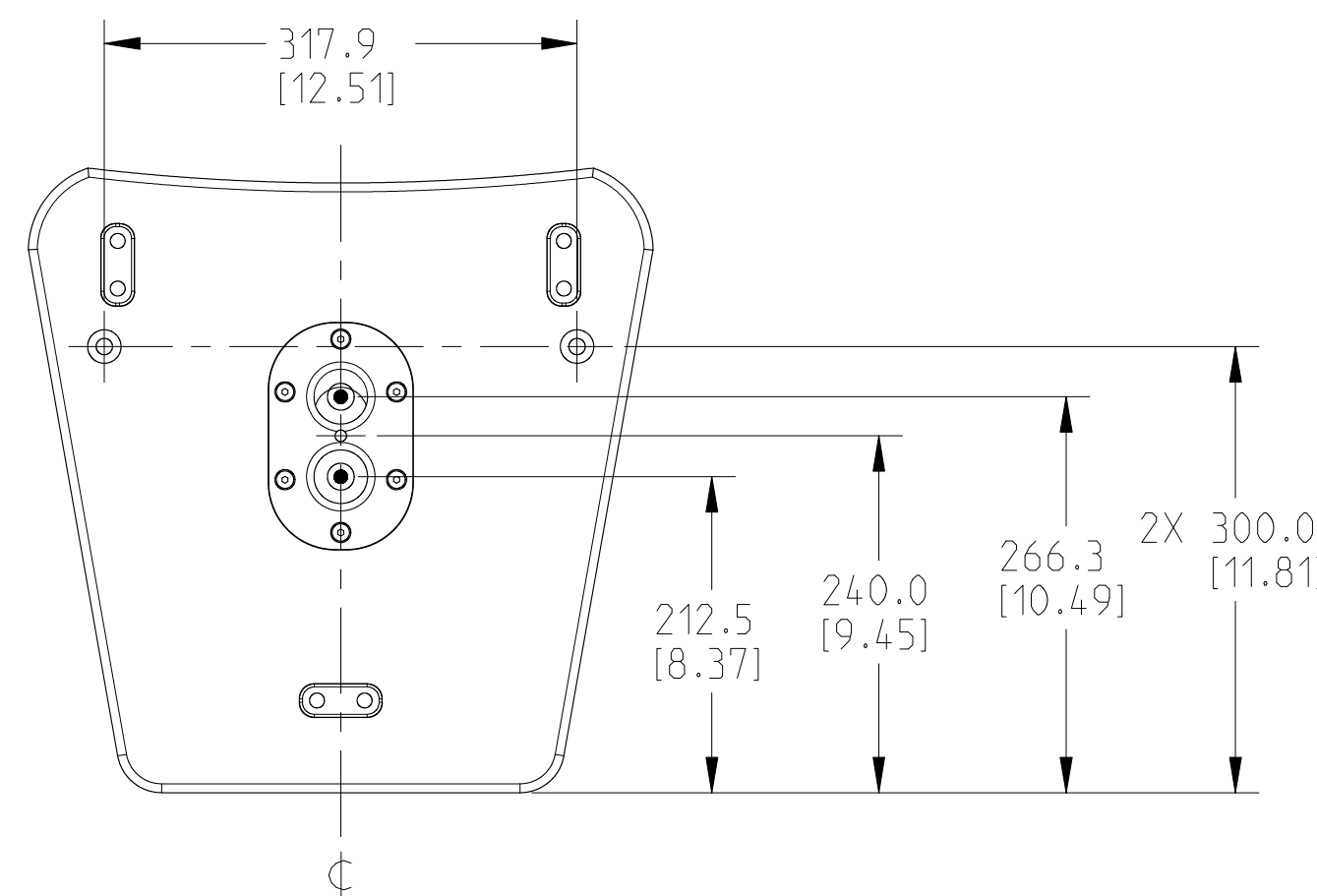
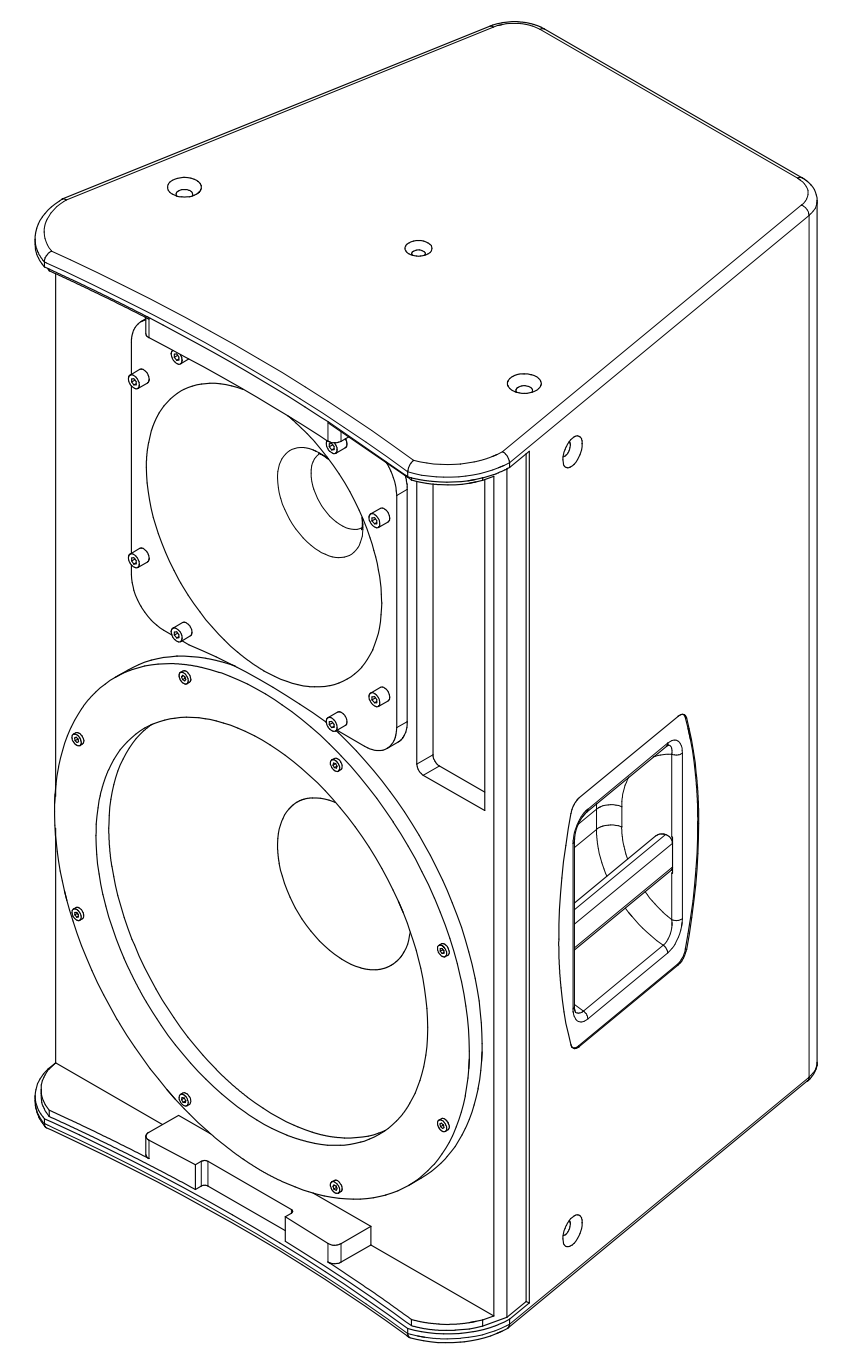
LEFT SIDE VIEW



RIGHT SIDE VIEW



REAR VIEW



8. GRILLE NOT SHOWN FOR CLARITY.
7. DIMENSIONS ARE IN MILLIMETERS [INCH].
6. PARTS ARE SYMMETRICAL ABOUT CENTER LINES UNLESS OTHERWISE NOTED.
5. SYMBOL INDICATES CENTER OF BALANCE.
4. SYMBOL INDICATES POLE MOUNT LOCATION, DUAL-ANGLE 35MM POLE SOCKET.
3. SYMBOL INDICATES SUSPENSION POINT, 10 TOTAL: 1 X M8-1.5 THD, 9 X M10-1.5 THD.
2. TOLERANCES (MM): X ± 3, ANGLES: ± 1°.
1. NET WEIGHT APPROX. 31.25 KG [68.9 LBS].

NOTE: UNLESS OTHERWISE SPECIFIED

UNLESS OTHERWISE SPECIFIED DIMENSIONS IN MILLIMETERS (IN) TOLERANCES ARE: DECIMALS DECIMALS ANGLES .X±.5(.02) .XX±.25(.010) ± 1/2 DEBURR EDGES .25 (.010) R MAX	DESIGNER ENG. SERVICES	QSC, LLC 1675 MACARTHUR BOULEVARD COSTA MESA, CA 92626	LOUDSPEAKER, E115-BK, 15" 2-WAY		
	ENGINEER				
	TECHNICAL DIRECTOR				
	MANUFACTURING ENGINEER				
MATERIAL	DESIGNER INFO: FG-901263-2D.A.0	SIZE D	CAGE CODE OOPW 4	DRAWING NO. FG-901263-2D	REV A
FINISH	MODEL INFO: FG-901263-3D.A.0	SCALE: 0.200	DO NOT SCALE DRAWING	SHEET 1 OF 1	